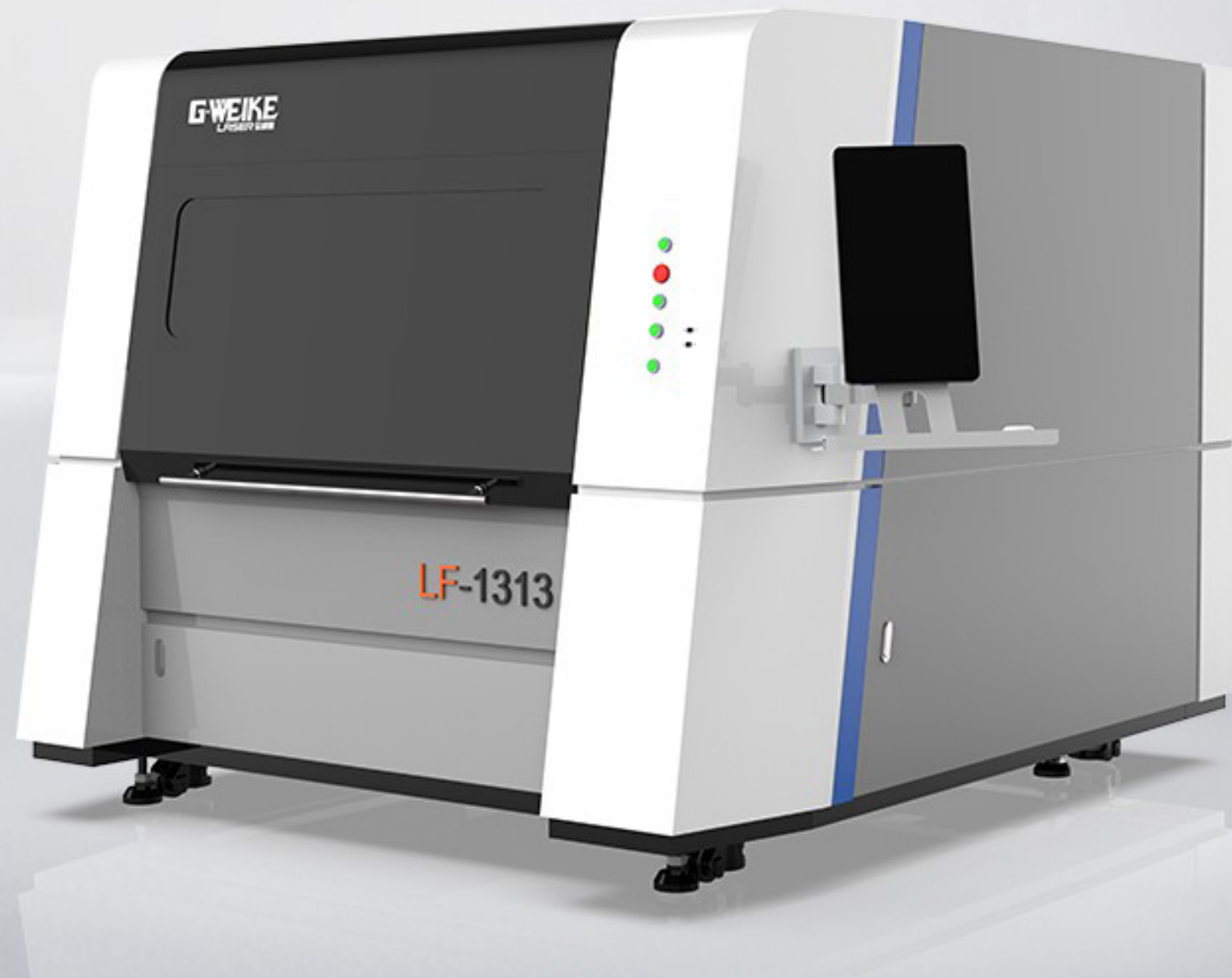
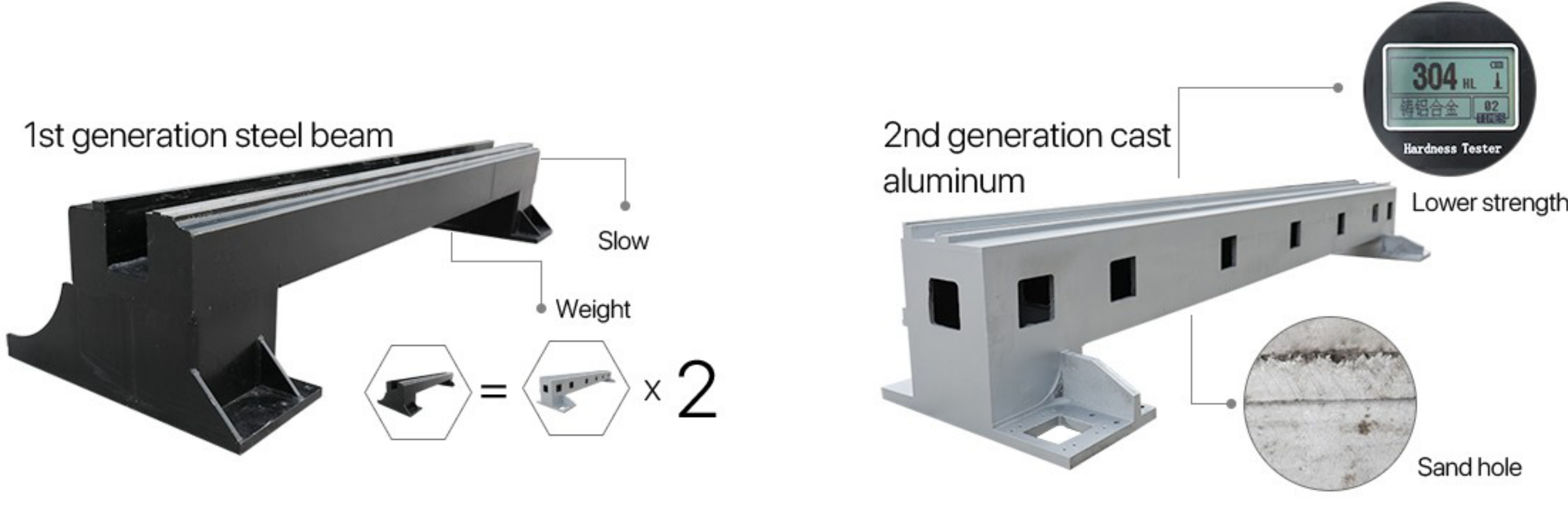


LF1313

PRECISION FIBER LASER CUTTING MACHINE

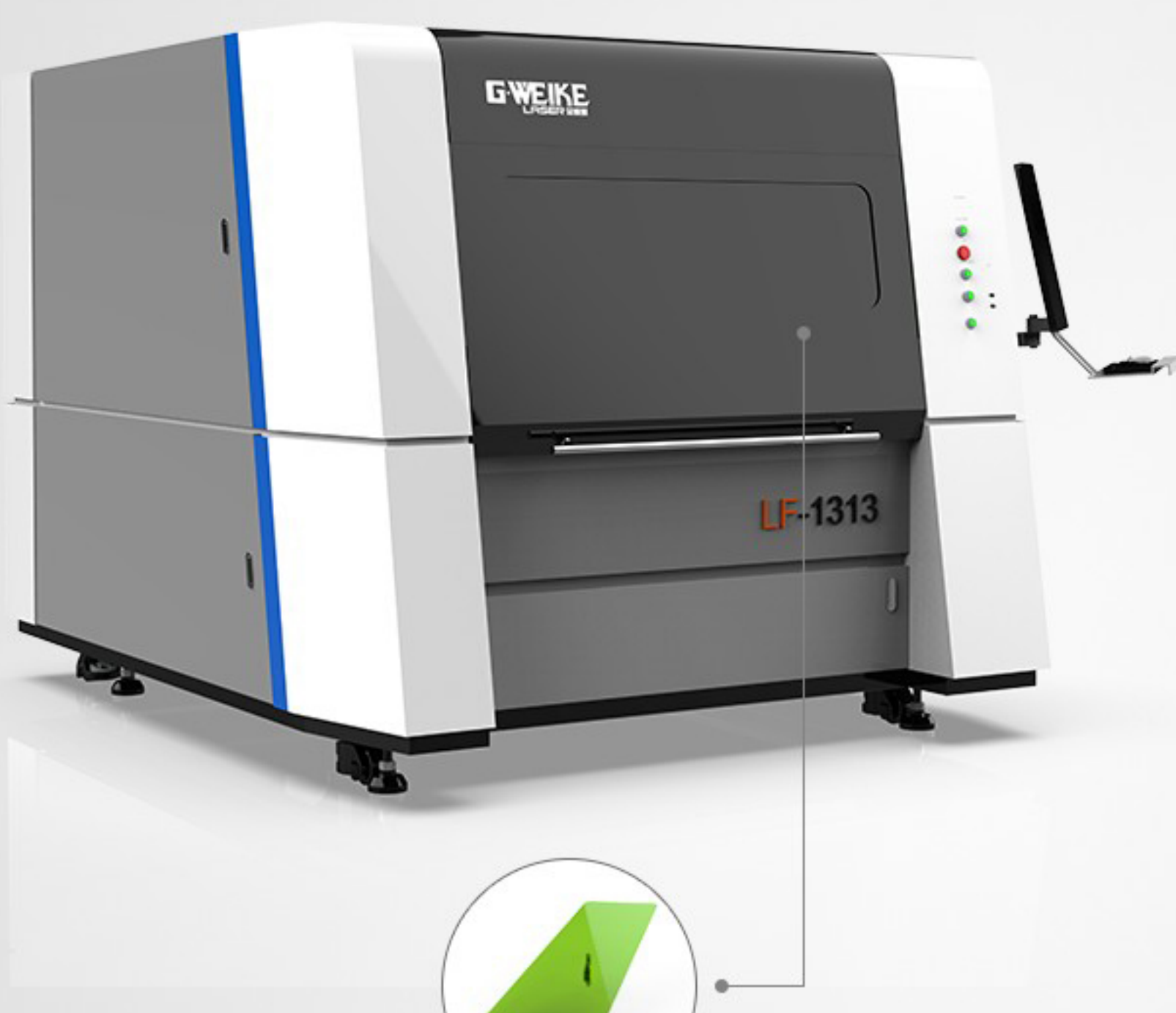


The Third Generation Aviation Aluminum Beam



3rd generation aviation aluminum beam

It is manufactured with aerospace standards and formed by 4300 tons press extrusion molding. After aging treatment, its strength can reach 6061 T6 which is the strongest strength of all beams. Aviation aluminum has many advantages, such as good toughness, light weight, corrosion resistance, anti-oxidation, low density, and greatly increase the processing speed.



Safety and No Pollution

- With a fully enclosed design;
- The observation window adopts an European CE standard laser protective glass;
- The smoke produced by cutting can be filtrated inside, it's non-polluting and environmentally friendly.

CE standard protective glass

Dual Rail and Dual Driver Design

To prevent the cutting line deformation caused by the Y-axis screw bending, the Y-axis on both sides have been equipped two rails guide and double ball drive screw design to ensure the straightness and arc degree when with high-speed cutting is in operation.



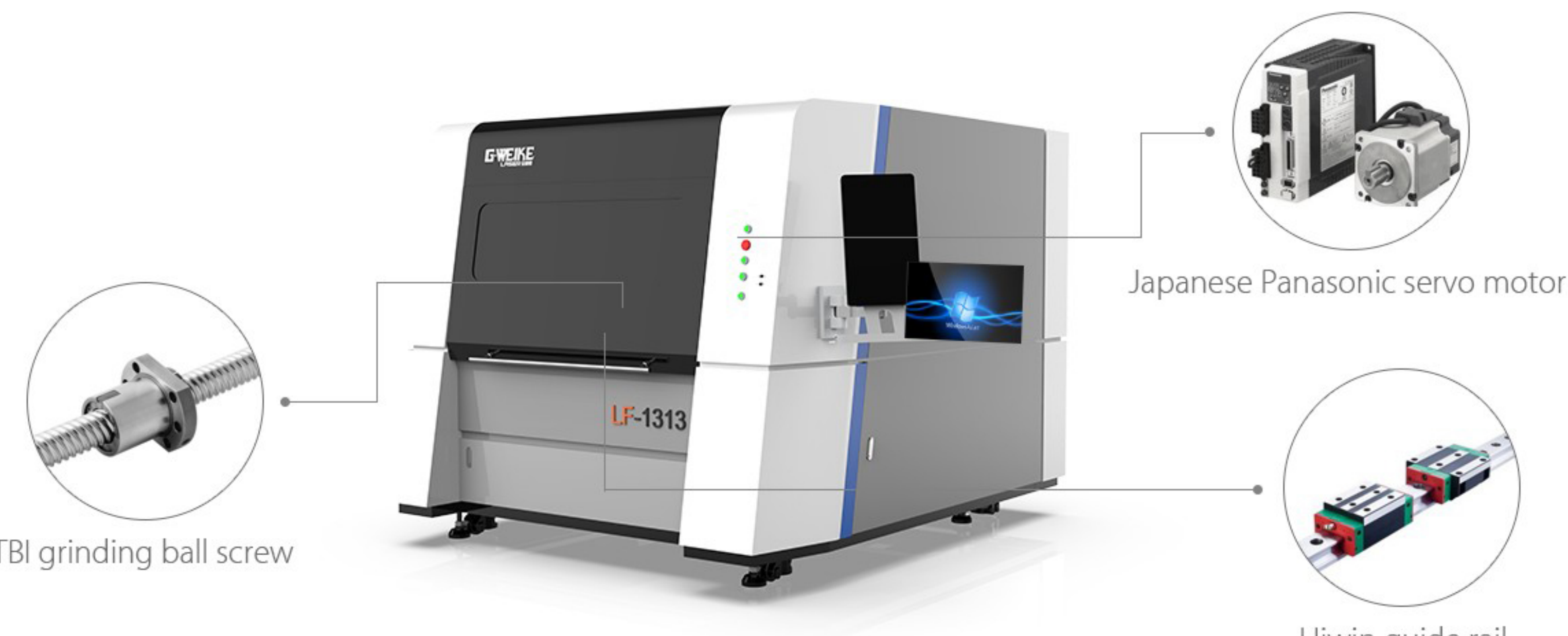
Without Manual Operation, It Can Focus Automatically



- **Without manual focusing**
The software automatically adjusts the focusing lens to realize automatic perforating and cutting plates of different thickness. The speed of automatically adjusting focus lens is ten times of the manual adjusting.
- **Bigger adjustment range**
Adjustment range -10 mm ~+10mm, precision 0.01mm, suitable for 0 ~ 20mm different types of plates.
- **Long service life**
Collimator lens and focus lens both have water-cooled heat sink, reducing the temperature of the cutting head to improve the life of the cutting head.

Drive and Accuracy

G·WEIKE fiber laser cutting machine is equipped with Japanese Panasonic servo motor, imported TBI dual driver grinding ball screw for Y axis and Hiwin guide rail, the positioning accuracy of the machine tool can be 0.008mm and the cutting acceleration is 0.5G. The working life is more than 10 years.



Technical Parameters

Machine Model	LF1313
Laser Power	1000W 1500W 2000W 3000W(optional)
Dimension	2110*2160*1630mm
Working Area	1300mm *1300mm
Repeat Positioning Accuracy	±0.008mm
Maximum Speed	40m/min
Maximum Acceleration	0.5G
Specified Voltage and Frequency	220V/50Hz/60Hz/60A

Industry Applications

LF1390 is specially designed for high precision cutting. It is widely used in machinery, microelectronics, glasses, electronics and other industries, which has high requirements on the cutting accuracy.



JINAN G.WEIKE SCIENCE & TECHNOLOGY CO.,LTD

In hi Tech square High-Tech Zone, Jinan,Shandong,China

E-mail: jacob@wklaser.com

Hotline: 400-061-521

Fax: +86-0531-88912386